

Fig. 16.66 Determining the form factor between a differential area and a patch using Nusselt's method. The ratio of the area projected onto the hemisphere's base to the area of the entire base is the form factor. (After [SIEG81].)

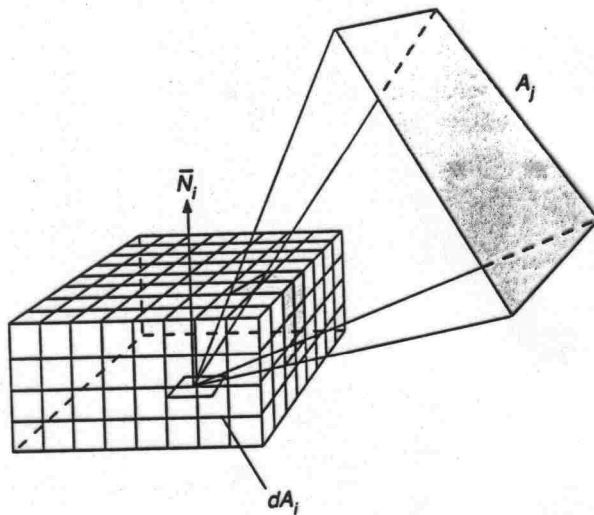


Fig. 16.67 The hemicube is the upper half of a cube centered about the patch. (After [COHE85].)

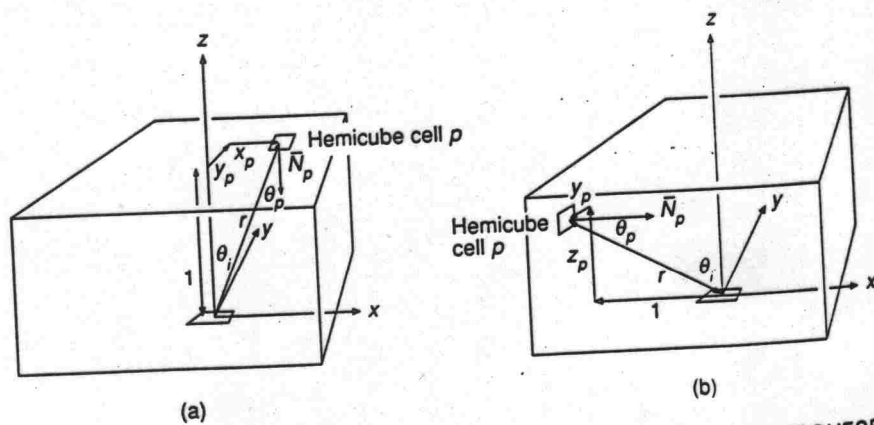


Fig. 16.68 Delta form factors. (a) The top face. (b) A side face. (After [COHE85].)